

ARGOSDYNE Inspection Drone

HUMMER



The Ultimate Solution for Construction, Building, and Bridge Crack Inspection Advanced Drone for Precision Inspections in GPS-Challenged

Introducing "HUMMER" :

Your Ultimate Aerial Solution for Precision Inspections Anywhere, Anytime. Tailored for the demands of construction sites, buildings, and bridge inspections, "HUMMER" boasts unparalleled versatility. Equipped with dual cameras strategically positioned atop and beneath, it ensures stable flight in GPS-rejected condition and comprehensive coverage for inspection tasks. The top camera is meticulously optimized for precise inspections, while the bottom stereo camera ensures steadfast flight stability and seamless inspection operations as a forward-facing unit. What sets "HUMMER" apart is its cutting-edge stereo vision technology, empowering it to navigate and excel even in GPS-restricted environments. Elevate your inspection capabilities with "HUMMER" – where innovation meets reliability."

USECASE

Precision Crack Detection at Construction Sites



Bridge Crack Inspection

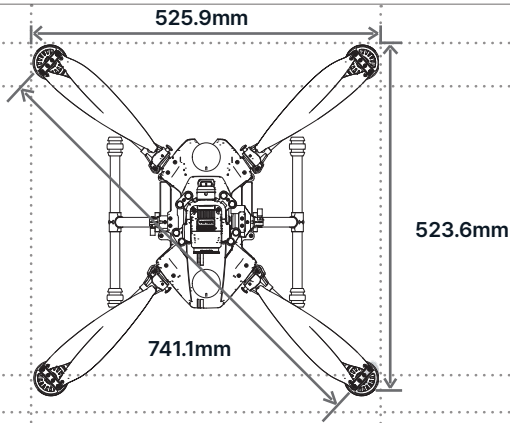


Innovative Solution for Building Exterior Inspection

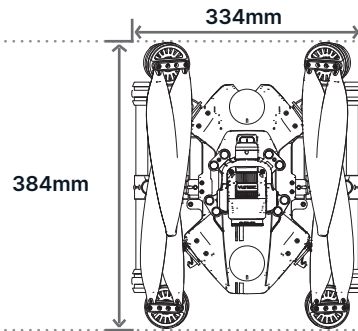


SIZE

Unfolded



Folded



SPEC

HUMMER

Size (folded)	230×340×310mm
(unfolded)	590×575×285mm
Weight (without camera)	2.18kg
Weight with battery (without camera)	3.38kg
Max. flight time (without payload)	55Min
Max. takeoff weight	5.8kg
Max. wind Resistance	15m/s
IP Level	IP53

Front camera

Resolution	8MP
Zoom	6X
Gimbal	Equipped (control not supported)

Top inspection camera

Resolution	20MP
Zoom	Not supported
Gimbal	Equipped (Control Support)

FEATURE

Feature 01



Unlocking Stability: Experience Stable Flight Anywhere: Our Drone Utilizes Stereo Camera Technology for Reliable Flight, even in GPS-Rejected Environments.

Feature 02



Simplify Your Inspections: Seamlessly assess walls, bridges, and various infrastructures with just one drone

COMPOSITION



HUMMER



Propeller



Inspection camera



Battery



Battery charger



Case